

QMAX[®]

NeedleFinder™

Garment Flipping Machine (model: NF-1010)

Wire Connection Guide



Version 1.0

ELECTRIC SAFETY NOTICE

To prevent fire or shock hazard, do not expose the unit to rain or moisture. To avoid electrical shock, do not open the control box or front panel. Refer servicing to qualified personnel only.

Machine(s) required:

1. 2 units of NF-1
2. 1 set of NF-1010

Features:

- Two-ways needle detection ensures maximum security
- Garments are turned upside down and by 90 degree
- Fully automatic and care free
- Compatible with any existing needle detectors

Legends:

- (A) machine : infeed machine
- (B) machine : outfeed machine



Caution:

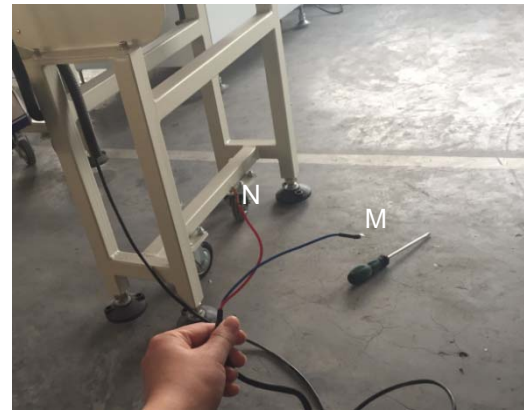
Disconnect all the power plugs before connecting any cables.

Connecting steps

1. Open the cover of the control cabinet of (A) machine (see Pic 1).
2. The upper flipping machine has two wires: red (N) & blue (M) (see Pic 2).

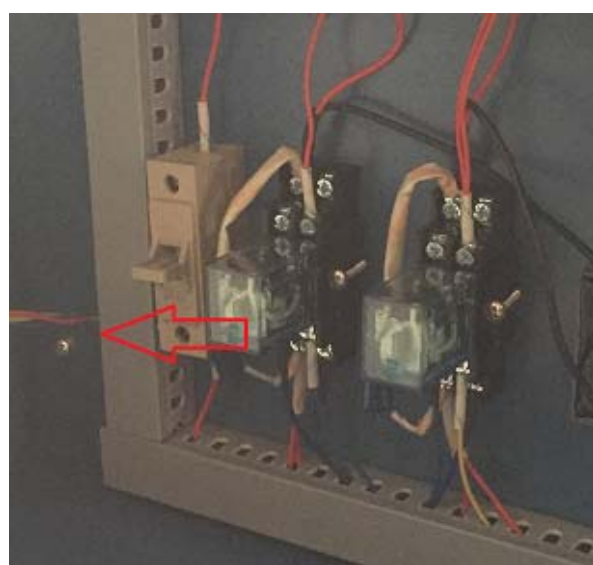


Pic 1

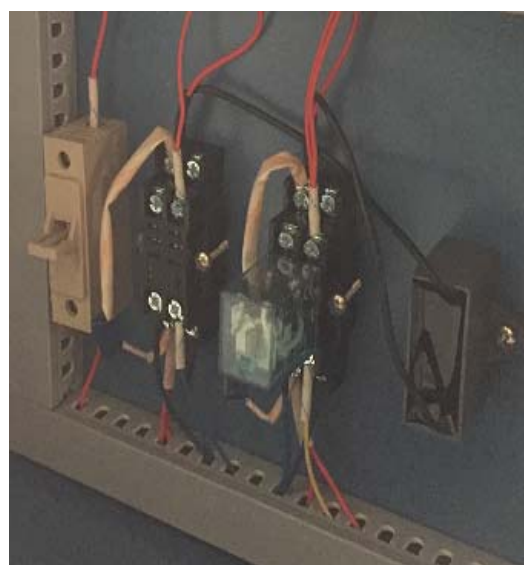


Pic 2

3. Remove the left relay (Pic 3) of (A) machine by hand to look like Pic 4.



Pic 3

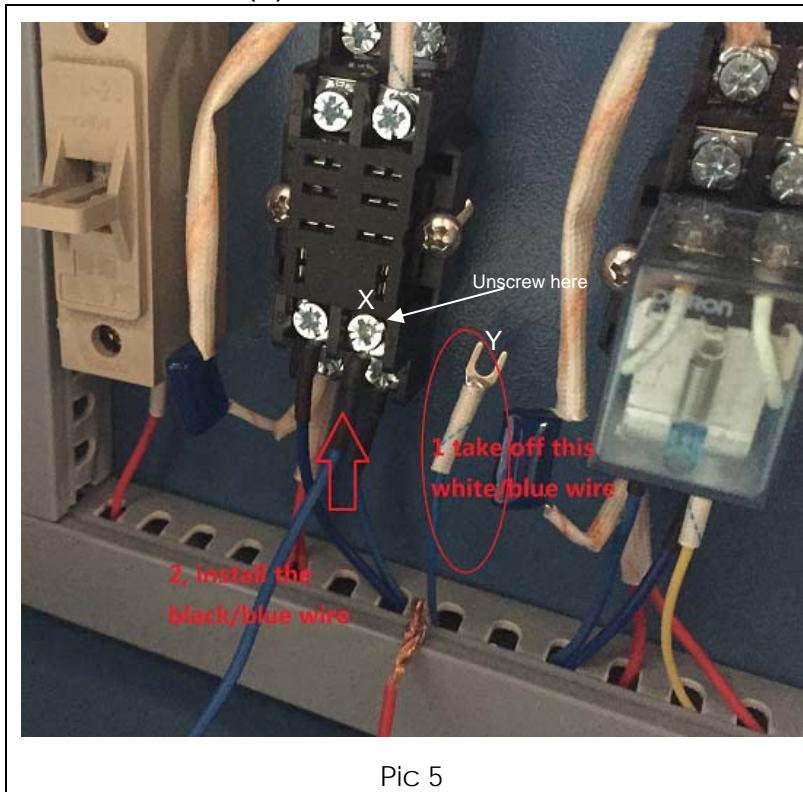


Pic 4

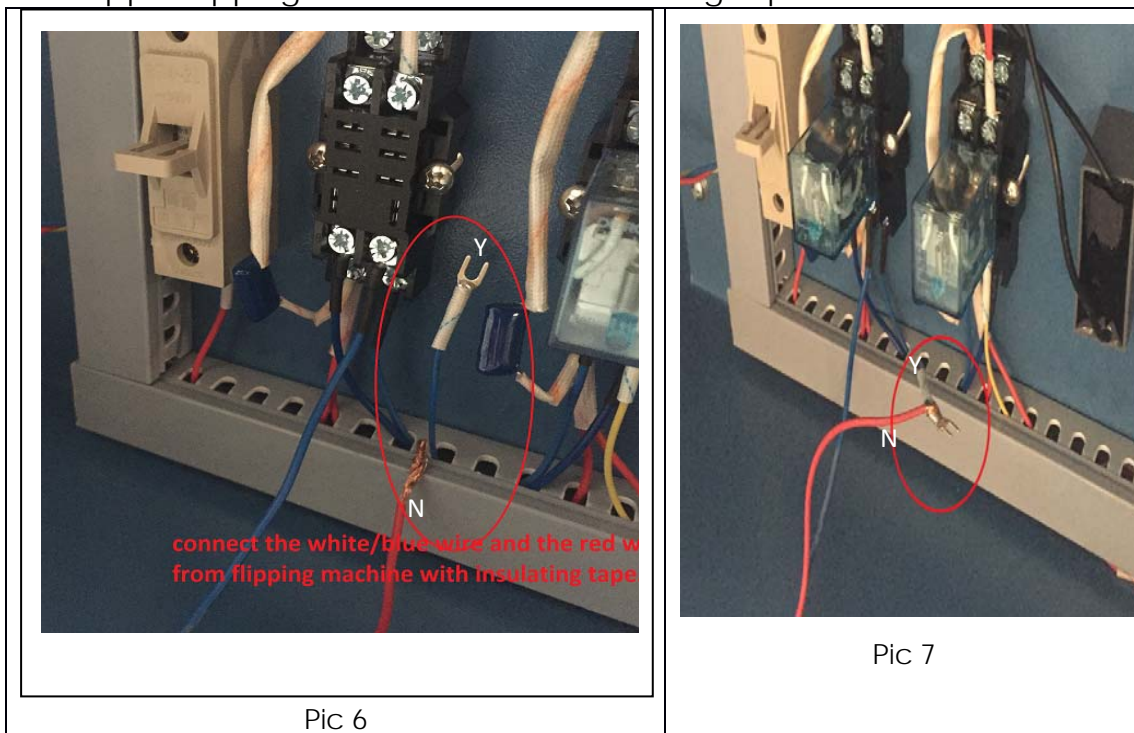
Wire connection guide

for QMAX NF-1010 Garment Flipping Machine
by HCL Asia Ltd.

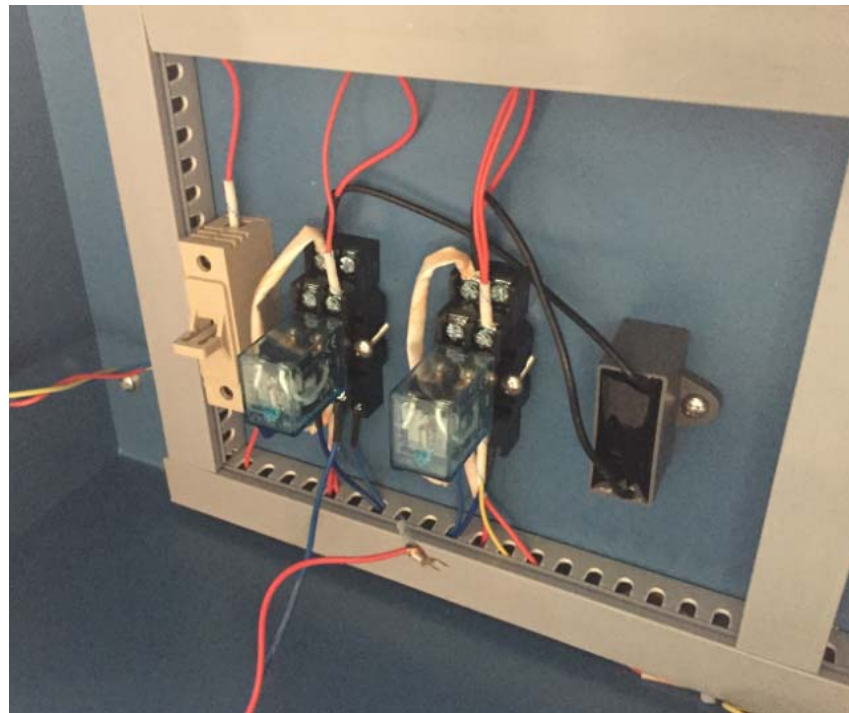
4. Unscrew (X) and take away the original wire (Y). Then, connect the **blue** wire (M) (see Pic 2) of the upper flipping machine instead. Tighten the screw (X) afterwards.



5. Connect the original wire (Y) with the **red** wire (N) (see Pic 2) of the upper flipping machine with an insulating tape to look like Pic 7.



6. Plug back the relay. Then, close the cover of the control cabinet.



Pic 8

7. Open the cover of the flipping machine control cabinet (see Pic 9).

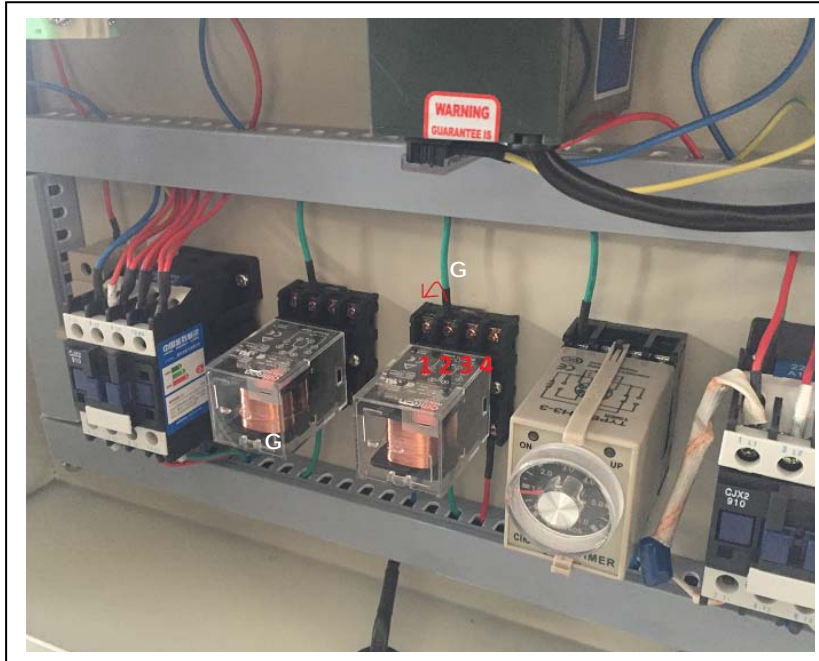


Pic 9

Wire connection guide

for QMAX NF-1010 Garment Flipping Machine
by HCL Asia Ltd.

8. Unscrew the cable (G) (see Pic 10). Place cable (G) from position (2) to position (1) to look like Pic 11. Tighten the screw afterwards.
9. Close the cover of the control cabinet.
10. Plug all the power cables and the machines are now ready to use.



Pic 10



Pic 11

===== CONNECTION IS COMPLETED =====